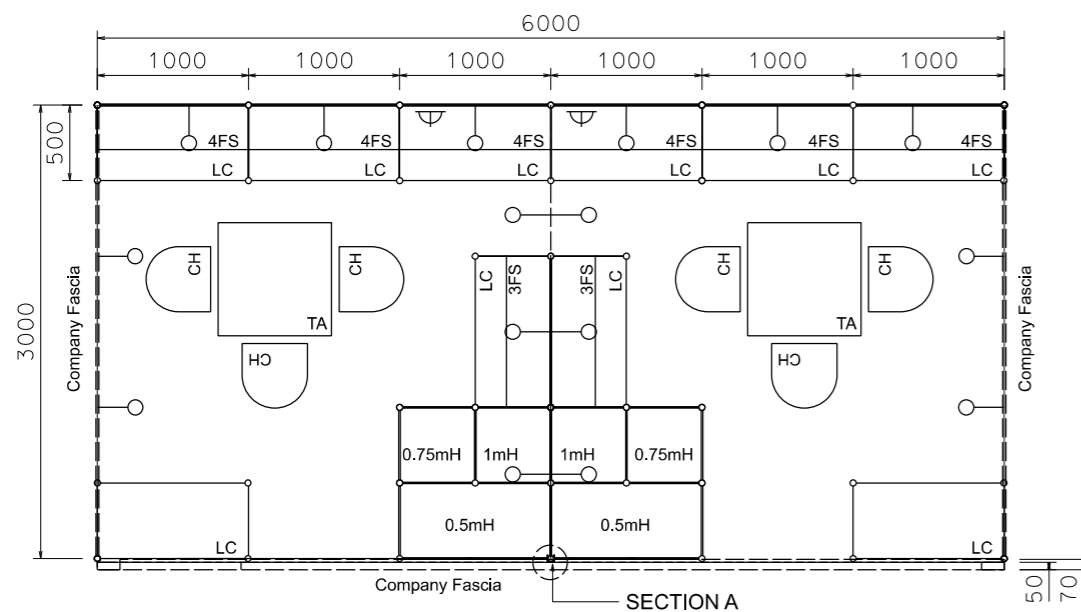
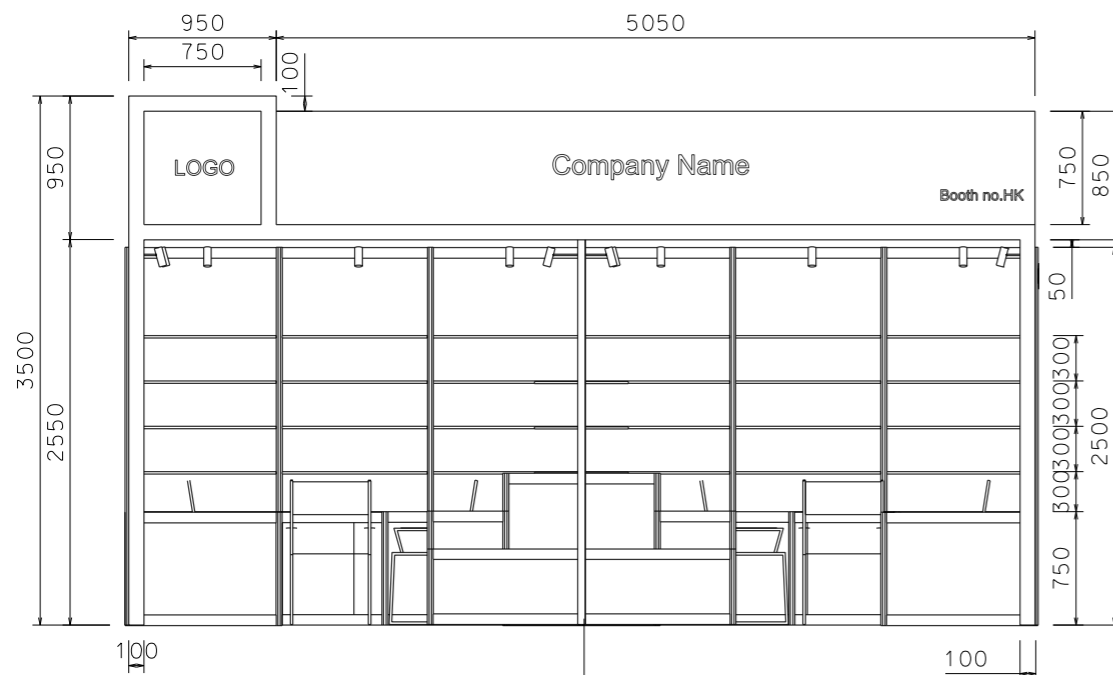


# Premium Booth 6mW x 3mD 3 Side Open

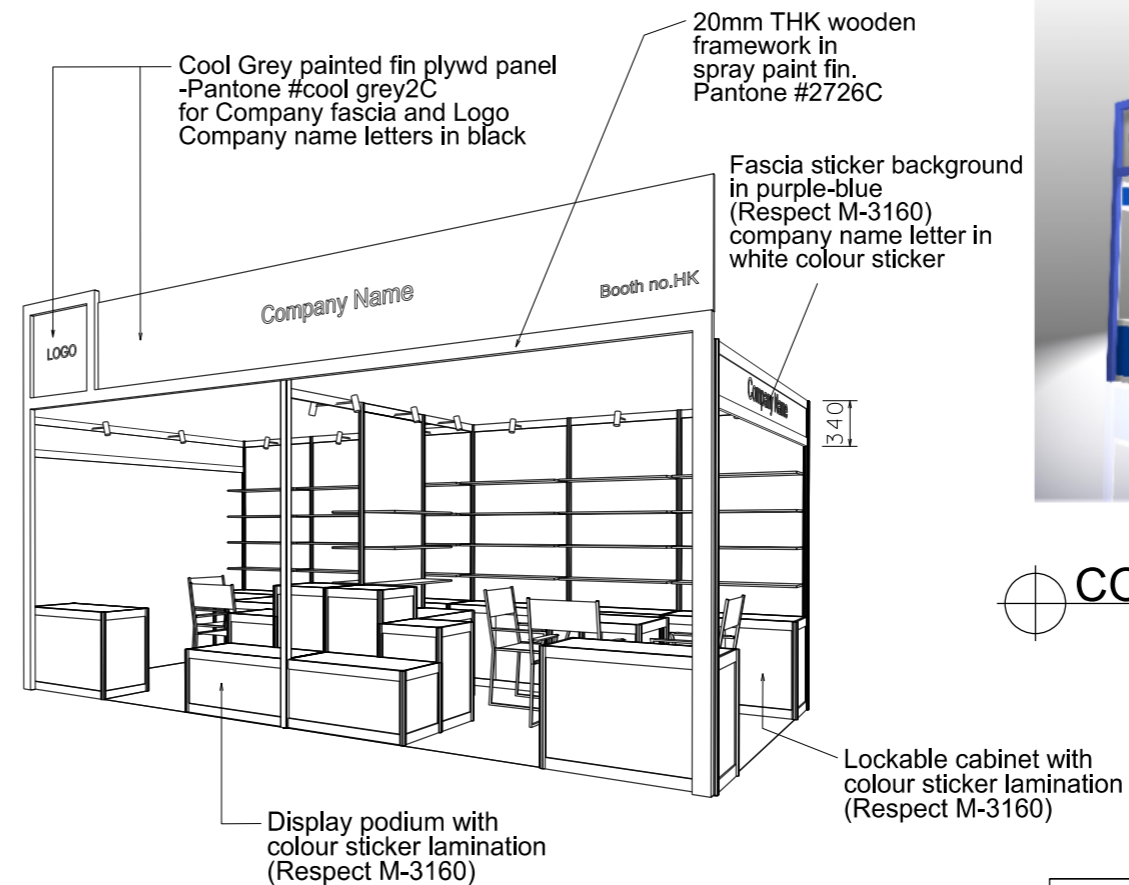
SD-B-18\_6mW x 3mD x 3.5mH



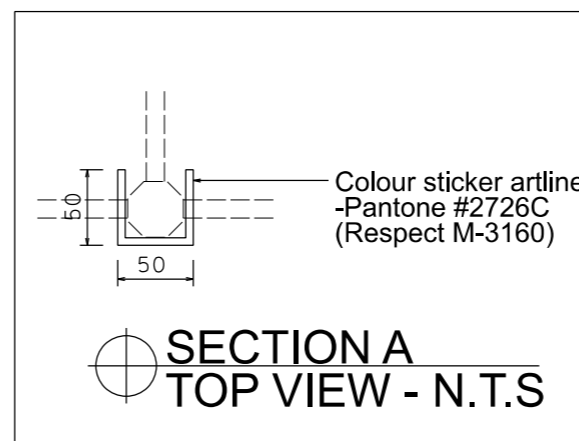
PLAN



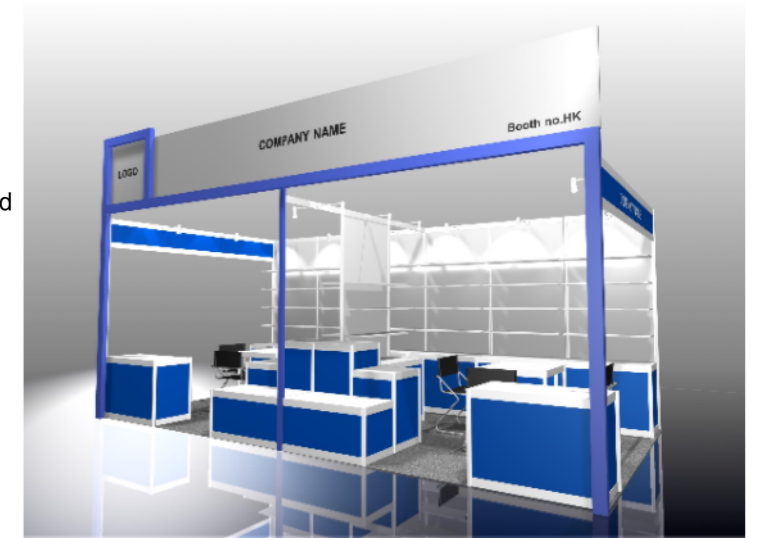
FRONT ELEVATION



PERSPECTIVE N.T.S



SECTION A TOP VIEW - N.T.S



COLOUR PERSPECTIVE N.T.S

BOOTH SPECIFICATION		QTY
	Lockable cabinet in purple-blue sticker lamination (1mL x 0.5mD x 0.75mH)	10
	Wooden shelf (flat) (1mL x 0.3mD)	30
	0.5mX 0.5mX 1mH display podium in blue sticker lamination	2
	0.5mX 0.5mX 0.75mH display podium in blue sticker lamination	2
	1mX 0.5mX 0.5mH display podium in blue sticker lamination	2
	Square meeting table (0.7m X 0.7m x 0.75mH)	2
	Black leather chair	6
	Longarmed spotlight w/13 watt LED lamp (yellow)	16
	500w Square pin power socket	2
	Company logo	1

FILE PATH - L:\Local Fair Premium Booth 2011\SD-Layouts\13W Lamp\SD-B layout\SD-B-2dLayout.dgn



NOTES UNLESS OTHERWISE SPECIFIED ALL DIMENSIONS ARE IN MM.

.....  
 .....  
 .....

REVISION  
 06-12-2014  
 29-11-2018

DATE: 29-11-2018  
 SCALE: 1 : 50 (A3)  
 DRAWN BY: ..  
 CHECKED BY: .....

TITLE  
 Premium Booth  
 SD-B-18  
 3 Sides Open

PROJECT  
 PREMIUM BOOTH  
 6m x 3m  
 DATE: XXXXXXXX

SHEET  
 SD-B05C