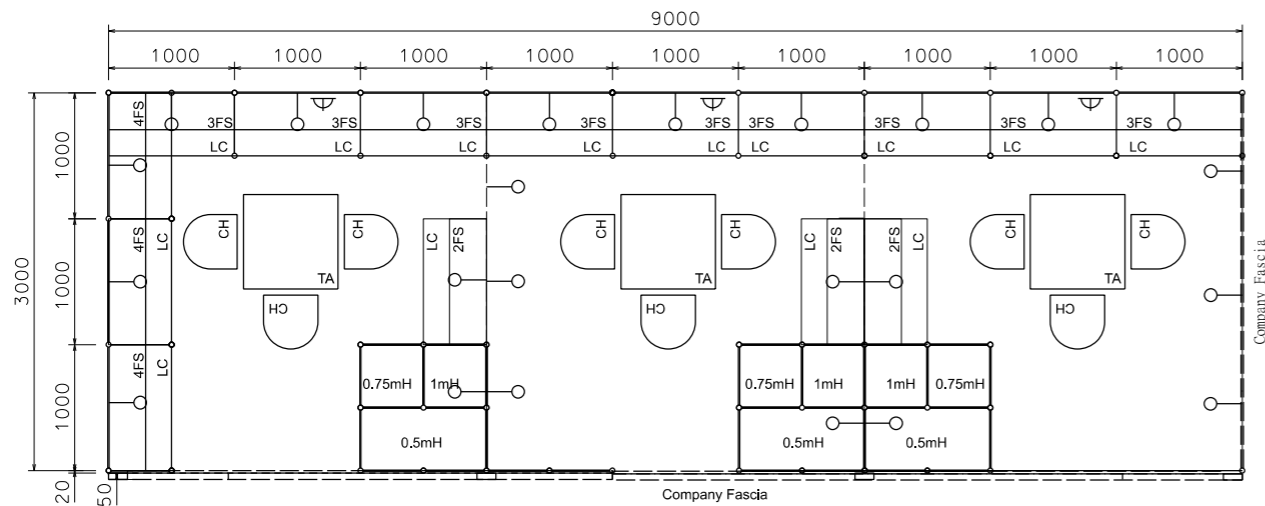
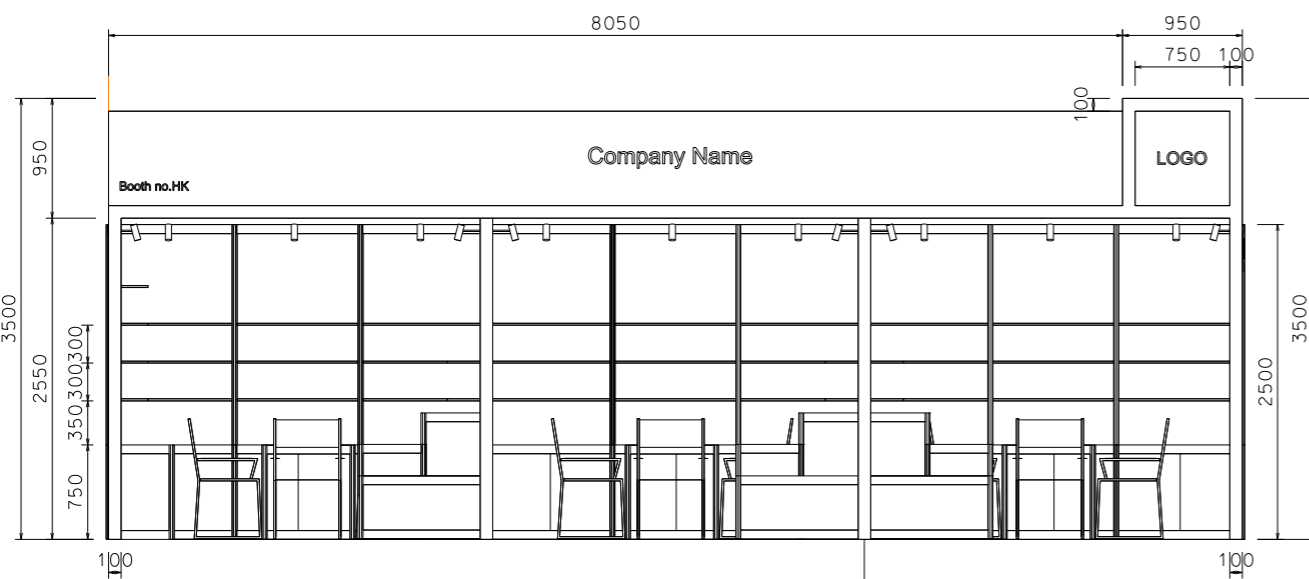


# Premium Booth 9mW x 3mD Right Corner Booth

SD-B-27 R-Cnr  
9mW x 3mD x 3.5mH

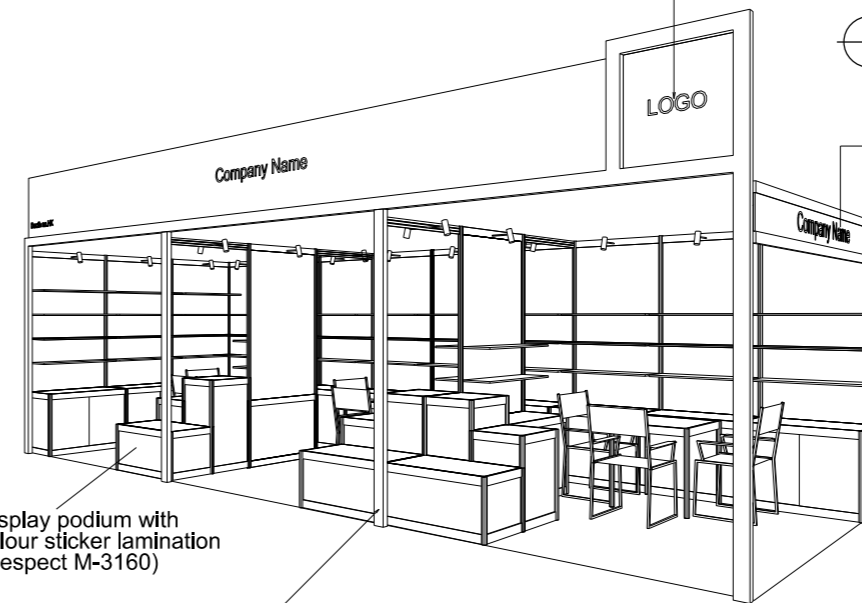


PLAN



FRONT ELEVATION

Cool Grey painted  
fin plywd panel  
-Pantone #cool grey2C  
for Company fascia and Logo  
Company name letters in black



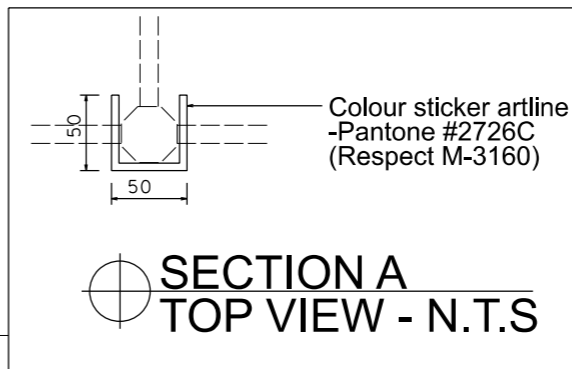
COLOUR PERSPECTIVE N.T.S

Fascia sticker  
background  
in purple-blue  
(Respect M-3160)  
company name letter in  
white colour sticker

PERSPECTIVE N.T.S

Display podium with  
colour sticker lamination  
(Respect M-3160)

20mm THK wooden  
framework in spray paint fin.  
Pantone #2726C



SECTION A  
TOP VIEW - N.T.S

BOOTH SPECIFICATION		QTY
	Lockable cabinet in purple-blue sticker lamination (1mL x 0.5mD x 0.75mH)	14.5
	Wooden shelf (flat) (1mL x 0.3mD)	45
	0.5mX 0.5mX 1mH display podium in blue sticker lamination	3
	0.5mX 0.5mX 0.75mH display podium in blue sticker lamination	3
	0.5mX 1mX 0.5mH display podium in blue sticker lamination	3
	Square meeting table (0.7m X0.7m x 0.75mH)	3
	Black leather chair	9
	Longarmed spotlight w/13 watt LED lamp (yellow)	24
	500w Square pin power socket	3
	Company logo	1

FILE PATH - L:\Local Fair Premium Booth 2011\SD-Layouts\13W Lamp\SD-B layout\SD-B-2dLayout.dgn



NOTES UNLESS OTHERWISE SPECIFIED ALL DIMENSIONS ARE IN MM.

.....  
.....  
.....

.....  
.....  
.....

REVISION  
21-08-2015  
29-11-2018

DATE:	29-11-2018
SCALE:	1 : 60 (A3)
DRAWN BY:	..
CHECKED BY:	.....

TITLE  
Premium Booth  
SD-B-27  
RIGHT CORNER

PROJECT  
PREMIUM BOOTH  
9m x 3m  
DATE: XXXXXXXX

SHEET

SD-B12B